

ZHSSFH-243 Series

Grade 11 Flush / Interleaf Hinge - **3 times faster to fit**



ZHSSFH-243S



ZHSSFH-243S



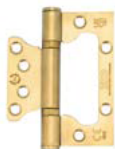
ZHSSFH-243S-P



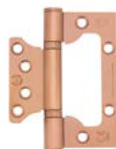
ZHSSFH-243S-PVD



ZHSSFH-243S-MB



ZHSSFH-243S-PVDSB



ZHSSFH-243S-PVDBZ



ZHSSFH-243S-ETB



ZHSSFH-243S-PCW



ZHSSFH-243S-TRG

TECHNICAL SPECIFICATION

PRODUCT FEATURES

- **Dimensions:** 100 x 79 x 3mm
- **Material:** Stainless Steel
- Requires no morticing into door or frame
- No intumescent needed for use on fire rated doors
- **Performance Testing:** Successfully tested in accordance with the requirements of BS EN1935: 2002, Grade 11

| | | | | | | | |
|---|---|---|----|---|---|---|----|
| 3 | 7 | 4 | 1* | 1 | 4 | 0 | 11 |
|---|---|---|----|---|---|---|----|

FIRE TESTING

- Successfully fire tested in accordance with the requirements of BS EN 1634-1, suitable for use on 30-minute timber fire doors

CERTIFICATION

- UKCA Marked (Certificate AC7989)
- CE Marked (Certificate AC7991)



1121-CPR-UK-AD7989

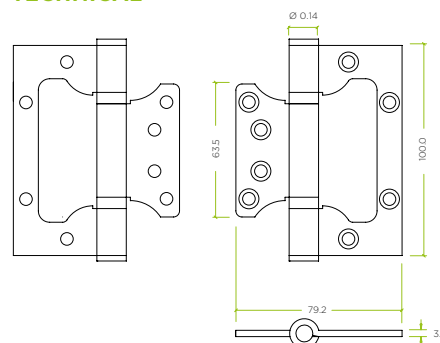


2812-CPR-AD7991

CORNER OPTIONS

- Square

TECHNICAL



| CODE | DESCRIPTION | FINISH |
|-------------------|---|---------------------|
| ZHSSFH-243S | Flush / Interleaf Hinge Pair - CE/UKCA - Grade 11 | Satin Stainless |
| ZHSSFH-243S-P | Flush / Interleaf Hinge Pair - CE/UKCA - Grade 11 | Polished Stainless |
| ZHSSFH-243S-PVD | Flush / Interleaf Hinge Pair - CE/UKCA - Grade 11 | Polished Brass PVD |
| ZHSSFH-243S-MB | Flush / Interleaf Hinge Pair - CE/UKCA - Grade 11 | Matt Black |
| ZHSSFH-243S-PVDSB | Flush / Interleaf Hinge Pair - CE/UKCA - Grade 11 | PVD Satin Brass |
| ZHSSFH-243S-PVDBZ | Flush / Interleaf Hinge Pair - CE/UKCA - Grade 11 | PVD Bronze |
| ZHSSFH-243S-ETB | Flush / Interleaf Hinge Pair - CE/UKCA - Grade 11 | Etna Bronze |
| ZHSSFH-243S-PCW | Flush / Interleaf Hinge Pair - CE/UKCA - Grade 11 | Powder Coated White |
| ZHSSFH-243S-TRG | Flush / Interleaf Hinge Pair - CE/UKCA - Grade 11 | Tuscan Rose Gold |



ARCHITECTURAL HARDWARE

For more information please contact us today:

ERA Home Security T/A Zoo Hardware,
Unit B, Dukes Drive, Kingmoor Park North,
Carlisle, Cumbria CA6 4SH

Call: 01228 672900

Fax: 01228 672928

Email: sales@zoo-hardware.co.uk

Web: www.zoohardware.co.uk



ISO 9001
Quality
Management
Systems
CERTIFIED

ISO 14001
Environmental
Management
CERTIFIED

FM 668401

EMS 668402